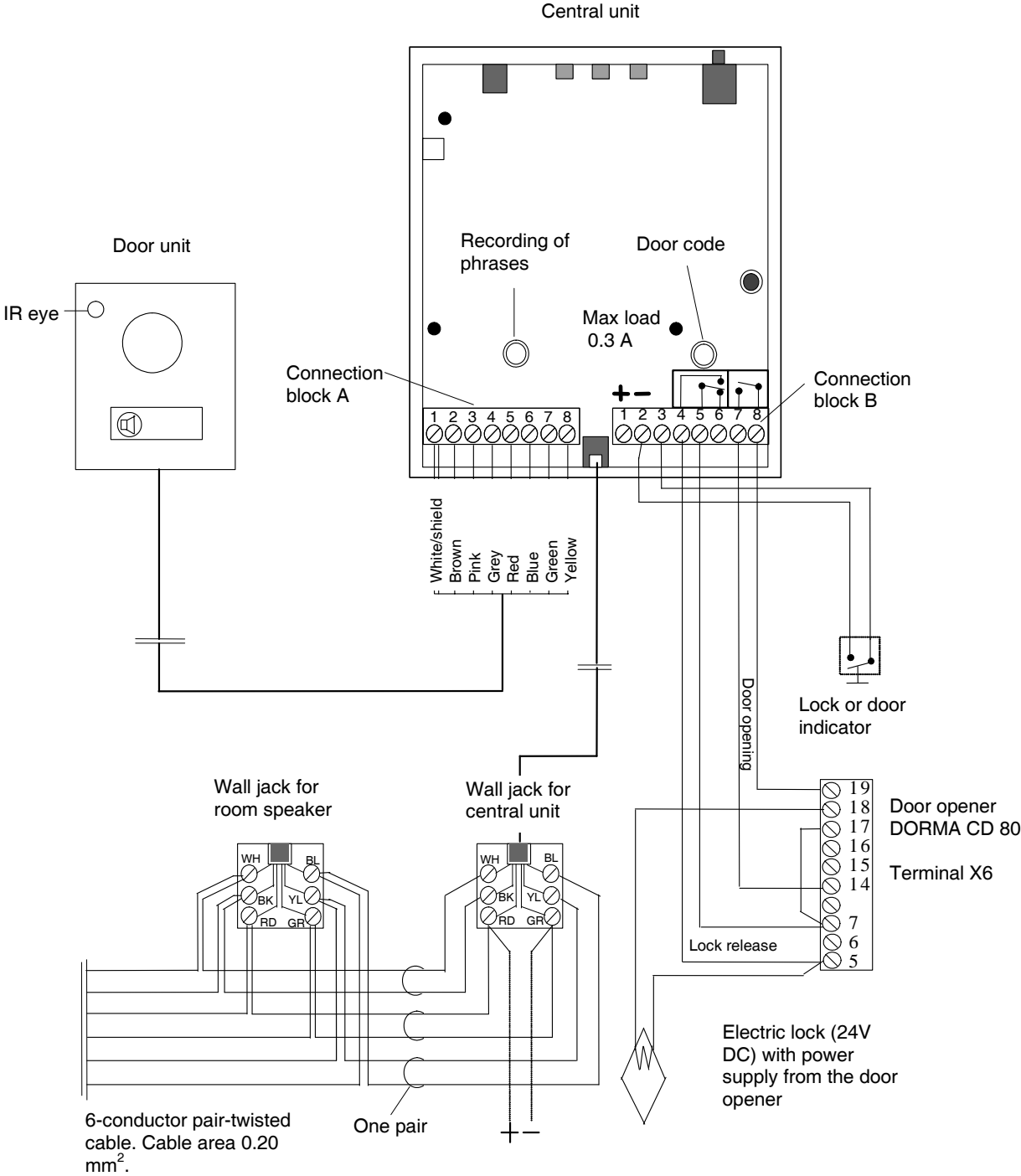
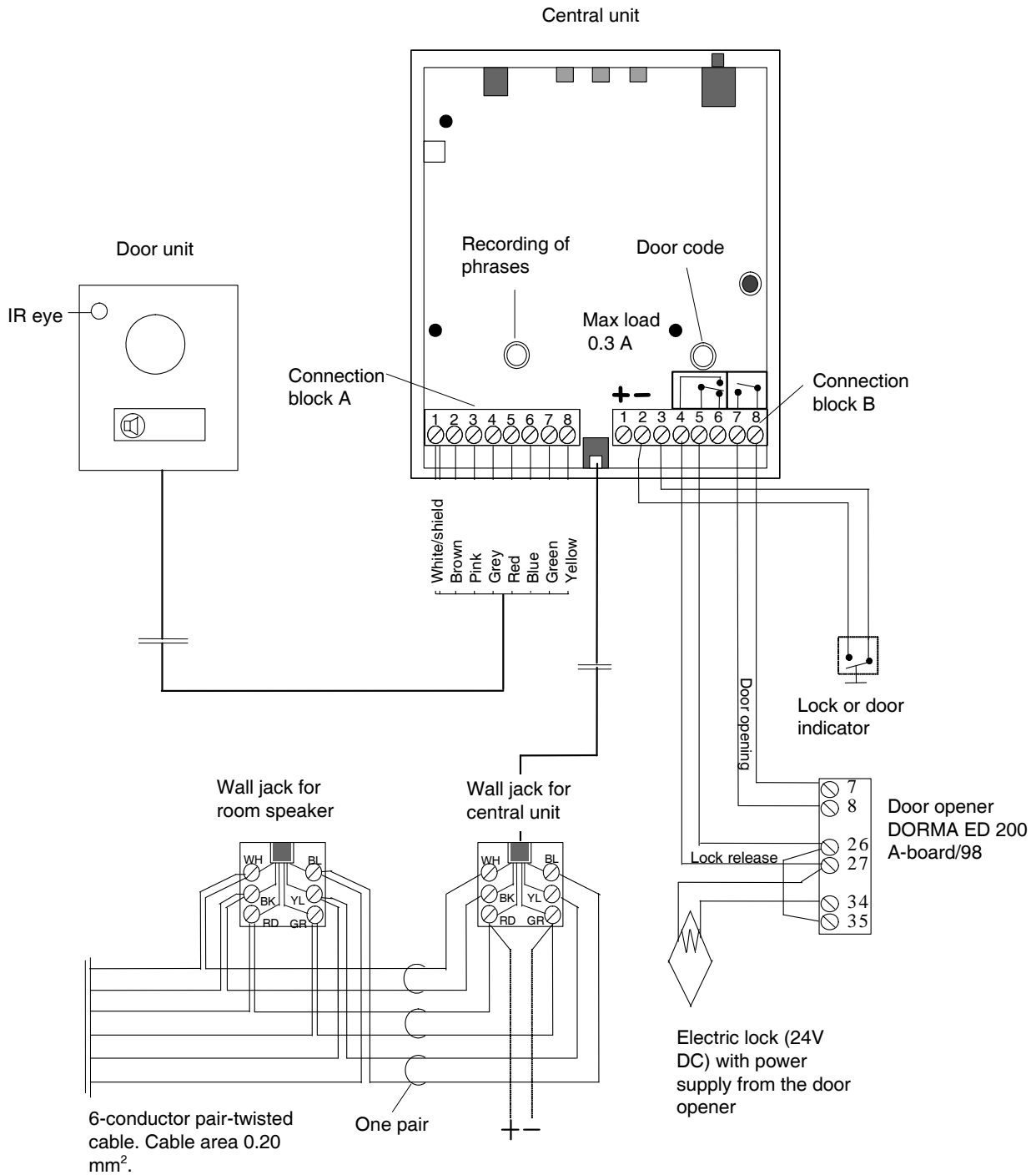


Drawing diagram for connecting of Door opener Dorma CD 80 to Duocom



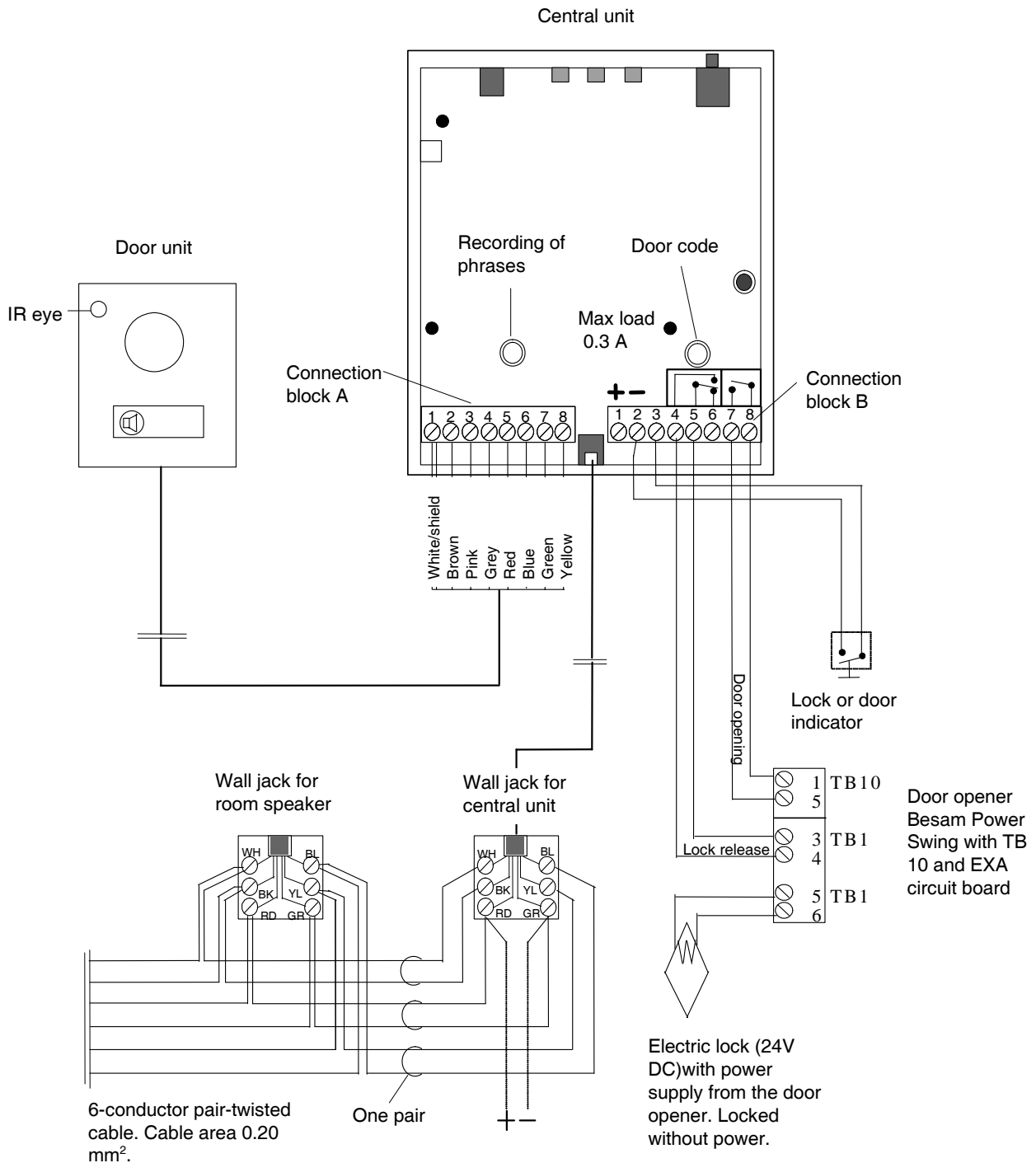
Connect the power supply unit to the wall jack of the central unit or to the room units as close to the central unit as possible.

Drawing diagram for connecting of Door opener Dorma ED 200 to Duocom



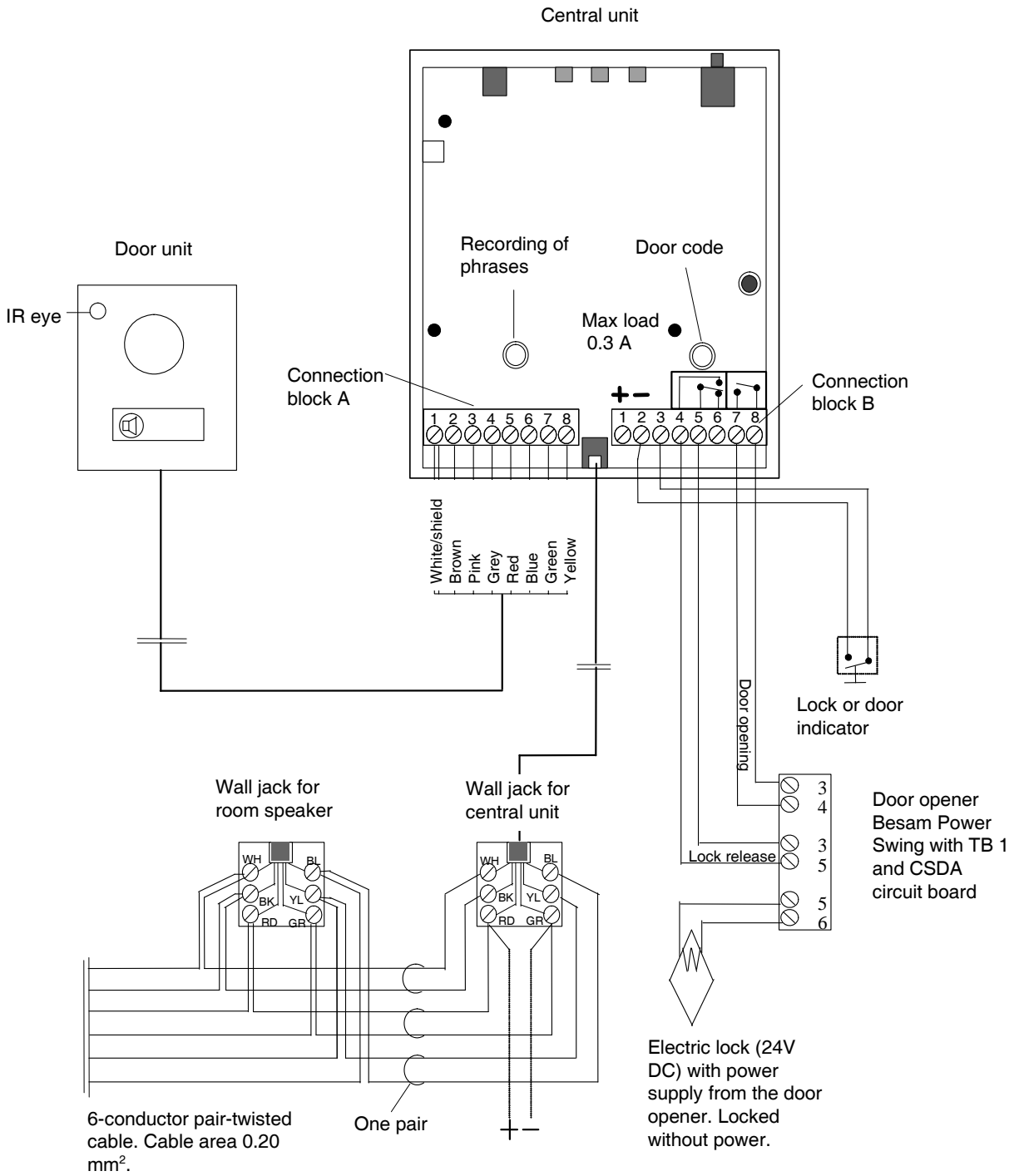
Connect the power supply unit to the wall jack of the central unit or to the room units as close to the central unit as possible.

Drawing diagram for connecting of Besam Power Swing with TB10 and EXA circuit board to Duocom



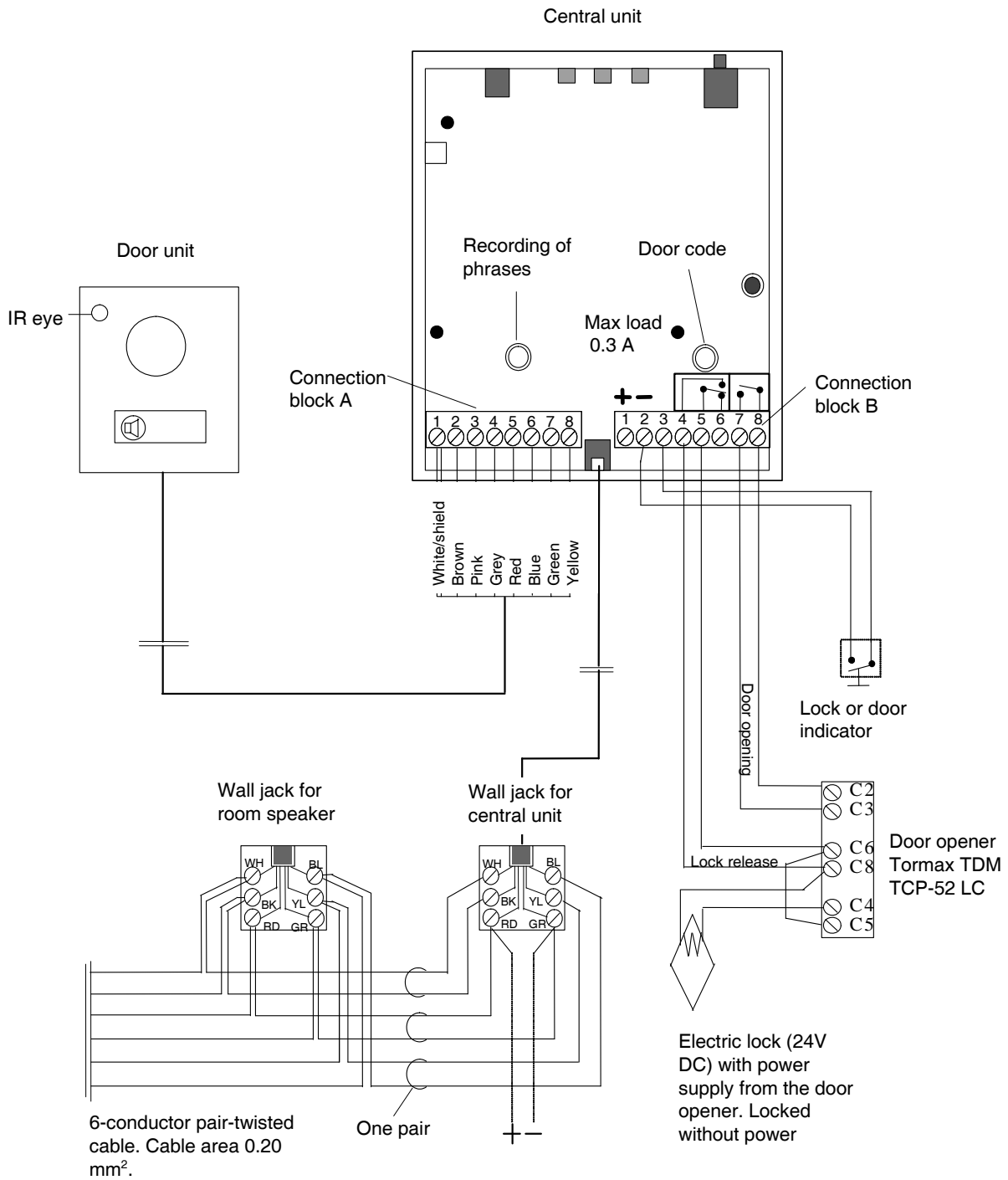
Connect the power supply unit to the wall jack of the central unit or to the room units as close to the central unit as possible.

Drawing diagram for connecting of Besam Power Swing with TB1 and CSDA circuit board to Duocom



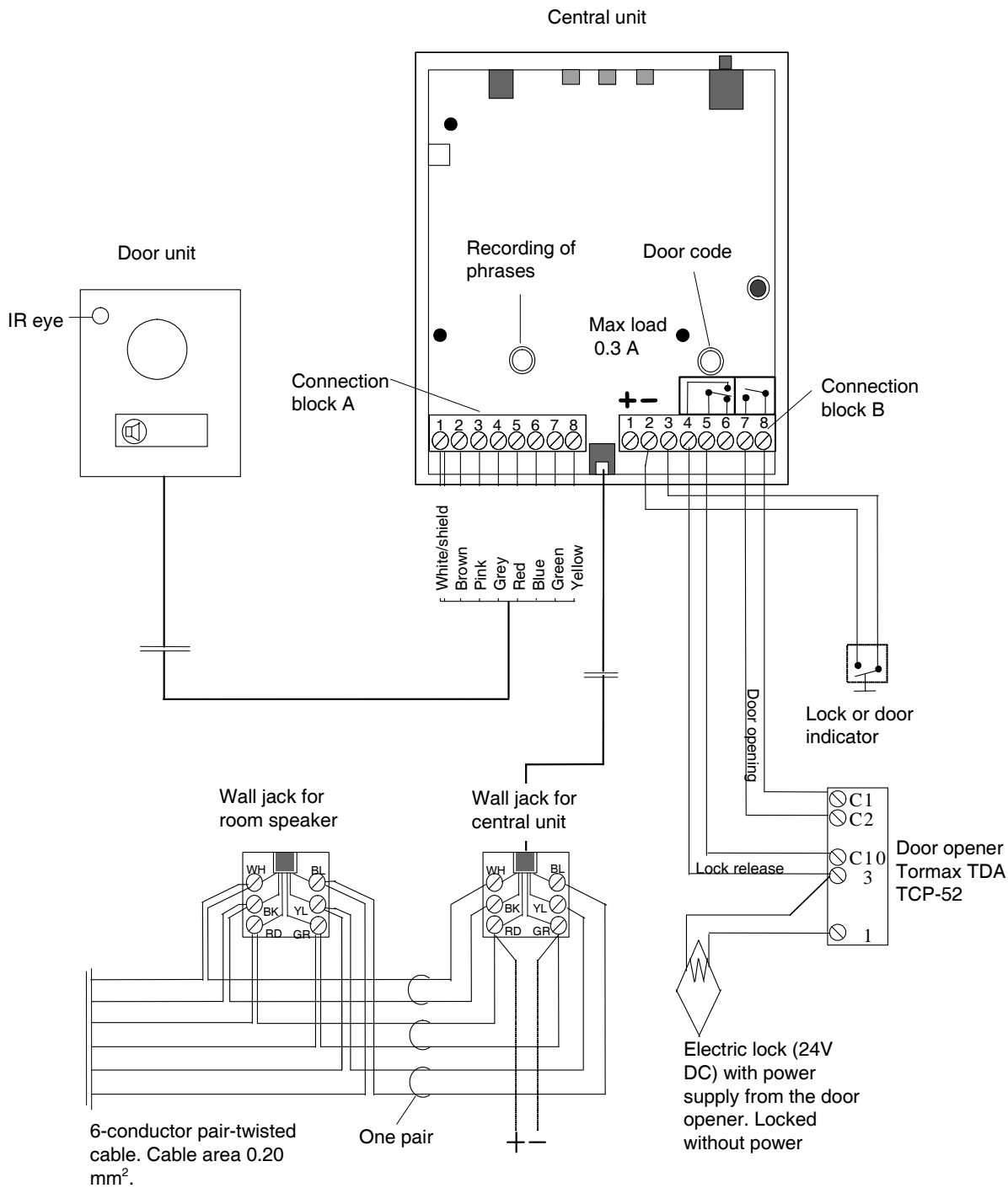
Connect the power supply unit to the wall jack of the central unit or to the room units as close to the central unit as possible.

Drawing diagram for connecting of Tormax TDM (TCP-52 LC) to Duocom



Connect the power supply unit to the wall jack of the central unit or to the room units as close to the central unit as possible.

Drawing diagram for connecting of Tormax TDA (TCP-52) to Duocom



Connect the power supply unit to the wall jack of the central unit or to the room units as close to the central unit as possible.

Gewa AB

Box 92, SE-191 22 SOLLENTUNA, SWEDEN
TEL: +46 (0)8-594 694 00 • FAX: +46 (0)8-594 694 19
E-MAIL: info@gewa.se • WEB: www.gewa.se

Doc.no: 030110-0945. Doc: Drawing diagram Duocom-Door Opener. Ver: C. Date: 2008-04-23.